

Under Counter Ice Machine - 120 Lb

SK-129S

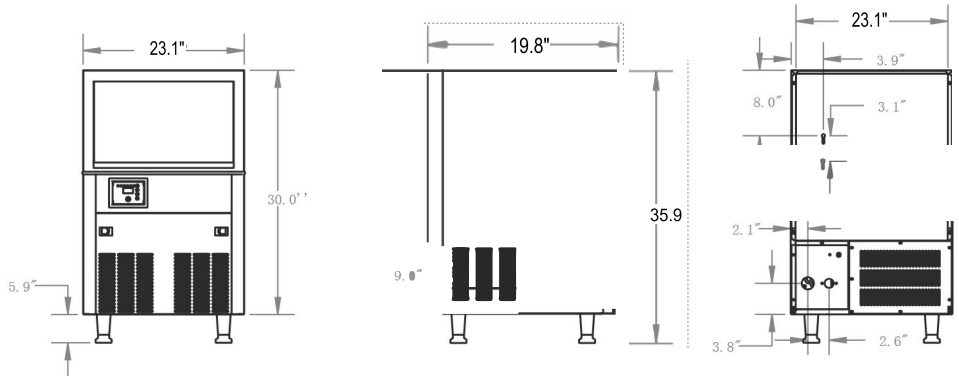
DESCRIPTION     



MODEL	ICE CAPACITY	ICE STORAGE	VOLTAGE	AMPS	WIDTH	DEPTH	HEIGHT
SK-129S	500lbs/24H	275lbs	115/60/1	3.9	23.1in	19.8in	35.9in

PRODUCTS SIZE (Unit:Inch)

Notice: No more than 7.87inch for the drain
Unit:Inch



Under Counter Ice Machine - 120 Lb

DESCRIPTION     



Intertek



Intertek

- Check that the power supply cord is not damaged, or pinched or kinked between the ice maker and the cabinet.
- Check that the water supply line is not damaged, or pinched or kinked between the ice maker and the cabinet.
- Check that the drain line (on some models) is not damaged, or pinched or kinked between the ice maker and the cabinet.
- Choose a location where the floor is even. It is important for the ice maker to be level in order to work properly. If needed, you can adjust the height of the ice maker by changing the height of the leveling legs.

DRAIN CONNECTION

GRAVITY DRAIN SYSTEM

Connect the ice maker drain to your drain in accordance with all state and local codes and ordinances. If the ice maker is provided with a gravity drain system, follow these guidelines when installing drain lines. This will help keep water from flowing back into the ice maker storage bin and potentially flowing onto the floor, causing water damage.

- Drain lines must have a minimum of **5/8"** inside diameter.
- Drain lines must have a **1"** drop per **48"** of run or **1/4"** drop per **12"** of run and must not have low points where water can settle.
- The floor drains must be large enough to accommodate drainage from all drains.
- The ideal installation has a standpipe with a **1 1/2"** to **2"** PVC drain reducer installed directly below the outlet of the drain tube as shown. You must maintain a **1"** air gap between the drain hose and the standpipe.

IMPORTANT

A drain pump is necessary when a floor drain is not available. (not included in purchase)

IMPORTANT

- Check any Plumbing Codes and local ordinances.
- The drain pump discharge line must terminate at an open sited drain.
 - Maximum rise **10 ft**
 - Maximum run **100 ft**

NOTES

- If the drain hose becomes twisted and water cannot drain, your ice maker will not work.
- It may be desirable to insulate the drain line thoroughly up to the drain inlet.