

Refrigerated Prep Tables

▪ 5 sizes ▪



FEATURES

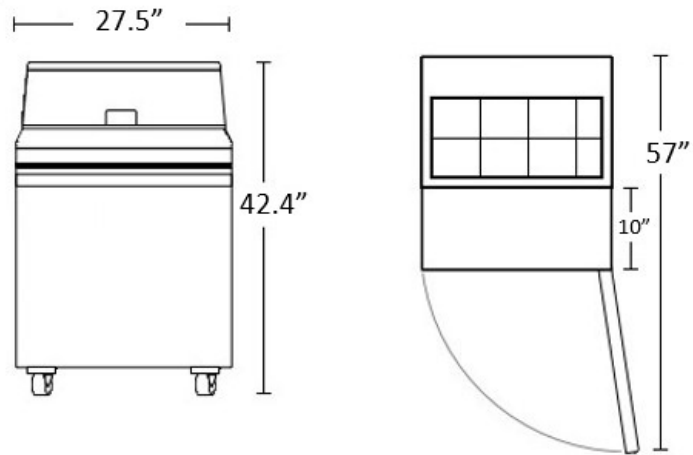
- Stainless steel exterior - Coated aluminum interior
- Insulated stainless steel lids
- Adjustable epoxy coated shelves
- Removeable cutting boards
- Self-closing door stays open at 90°
- Pans are air cooled from the bottom
- Heavy duty casters and recessed handles
- Dixell digital controller with automatic defrost programming
- ETL Listed and conforms to NSF Std. 7
- Standard 15-amp plug



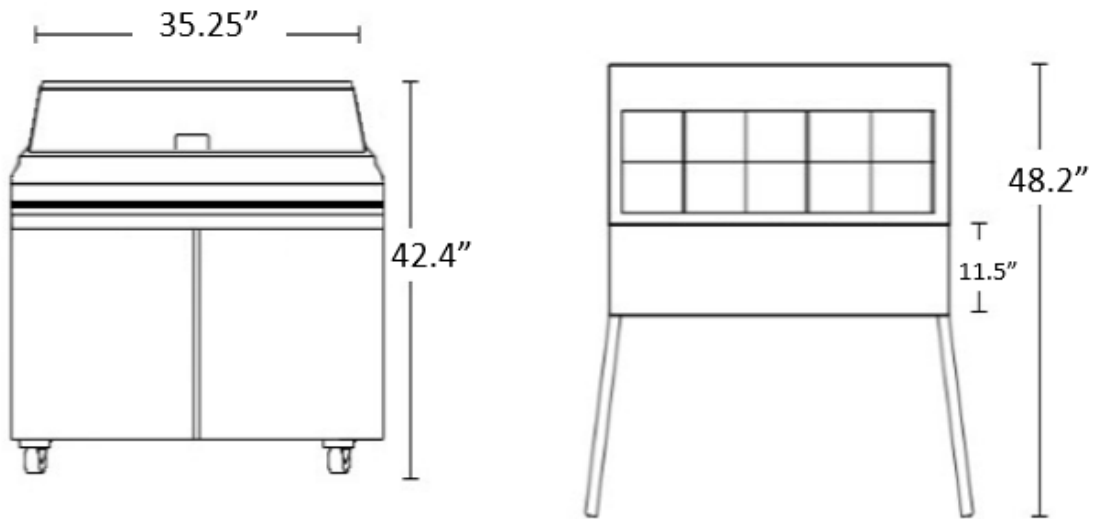
Model	Doors	6" Deep Pan Capacity	HP	Amps	Volume	Width	Depth	Height
IM27RP	1	(6) 1/6 and (2) 1/9	1/5	2.88	5.7 Cu. Ft	Ext: 27.5" Int: 24"	Ext: 29.5" Int: 23.75"	Ext: 42.4" Int: 23.5"
IM36RP	2	(10) 1/6	1/4	5.5	9.1 Cu. Ft	Ext: 36.25" Int: 33"	Ext: 29.5" Int: 23.75"	Ext: 42.4" Int: 23.5"
IM48RP2	2	(12) 1/6	1/4	4.56	9.5 Cu. Ft	Ext: 46.8" Int: 35.25"	Ext: 29.5" Int: 23.75"	Ext: 42.4" Int: 23.5"
IM60RP2	2	(16) 1/6	1/4	4.8	15 Cu. Ft	Ext: 60.2" Int: 56.2"	Ext: 29.5" Int: 23.75"	Ext: 42.4" Int: 23.5"
IM70RP3	3	(9) 1/3 or (18) 1/6	1/5	3.42	16.9 Cu. Ft	Ext: 70.9"	Ext: 31.5" Int: 22.9"	Ext: 42.9" Int: 26.1"

PEAKCOLD Refrigerated Prep Tables

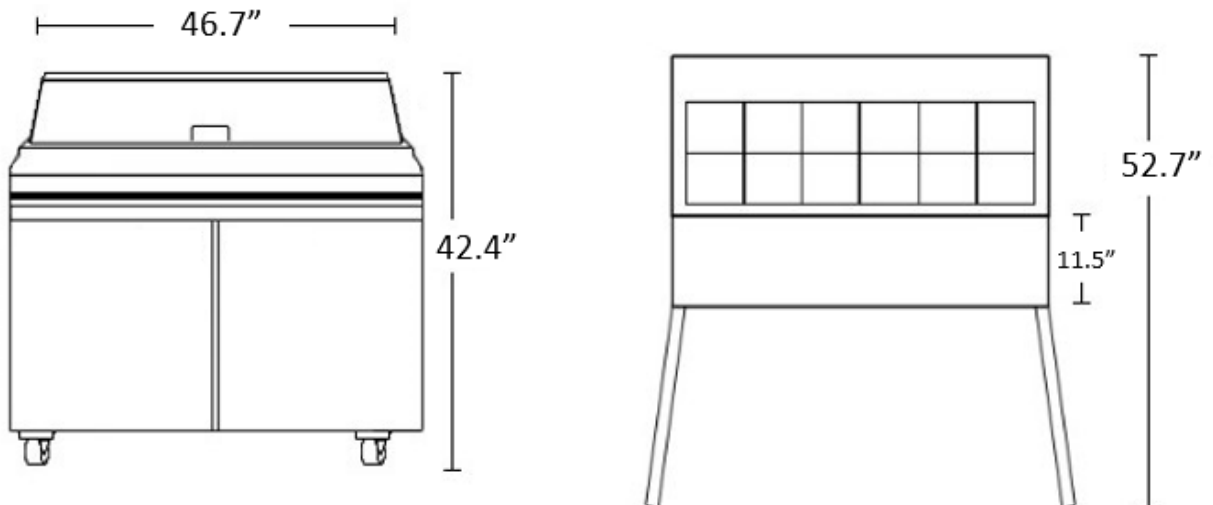
IM27RP



IM36RP2

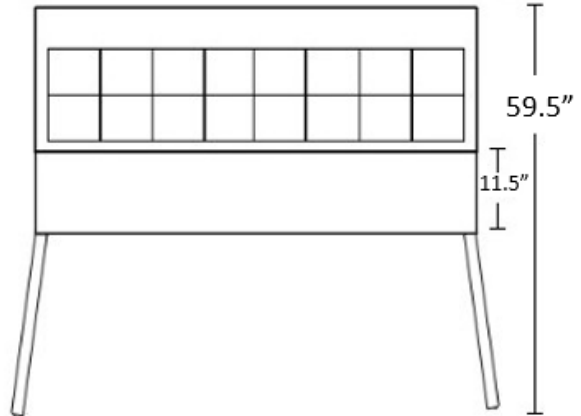
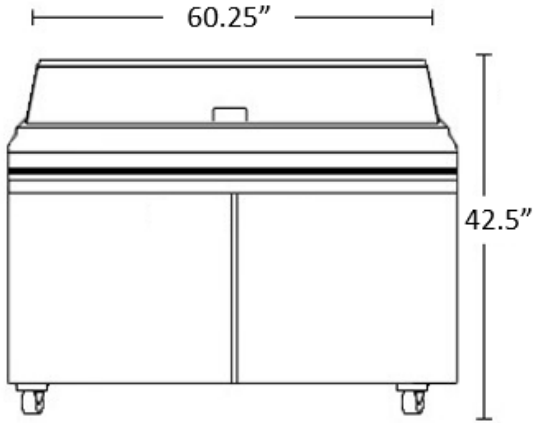


IM48RP2

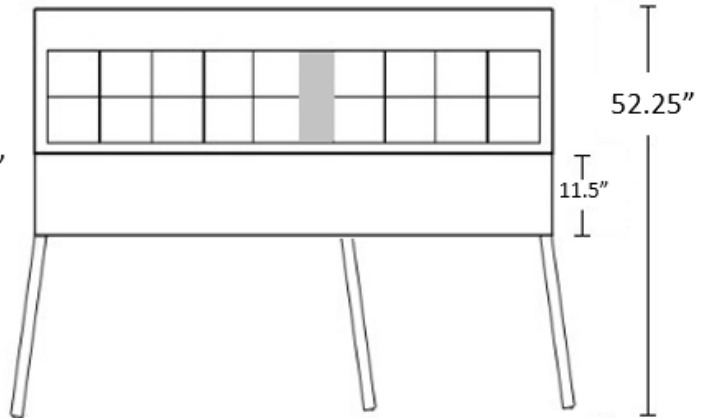
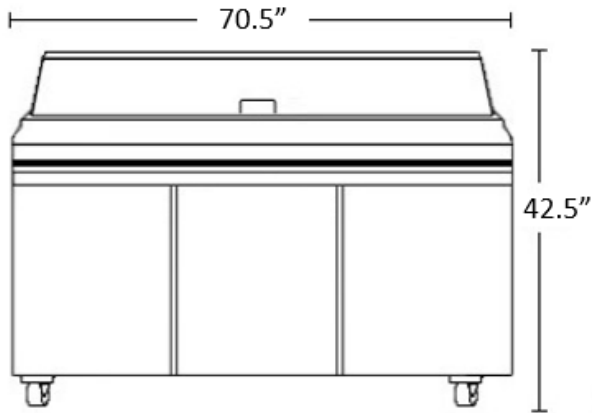


PEAKCOLD Refrigerated Prep Tables

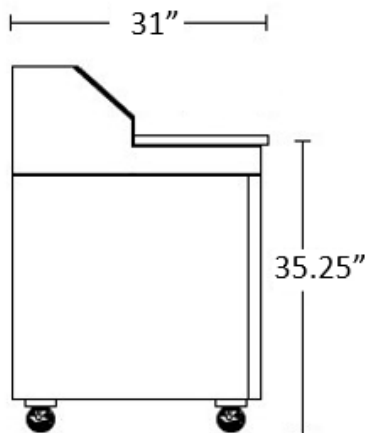
IM60RP2



IM71RP3



SIDE VIEW - ALL MODELS



ROCK SOLID

WARRANTY

No Headaches
No Registration Required
For Procool and PeakCold Lines

PEAKCOLD®

5 YEAR ON COMPRESSORS

3 YEAR ON PARTS

1 YEAR ON LABOR

IRON MOUNTAIN
REFRIGERATION + EQUIPMENT

For warranty service, contact service@ironmountainrefrigeration.com or call 833-734-8880. Your warranty...

- is not supported outside the continental United States
- begins on the date of purchase and are not transferable to other parties.
- does not cover damage due to misuse, abuse, accidents, alterations or improper installation.
- does not cover normal wear and tear or cosmetic imperfections not reported at delivery.
- does not cover the loss of product or income due to equipment malfunction.

*Placing equipment outdoors, exposure to extreme temperatures, using it to store hazardous materials or modifying the equipment in any way voids all warranties.

Food Truck or Trailer Use Warranty: Customers installing equipment in a food truck or trailer shall receive 30 days of replacement warranty coverage, regardless of the standard coverage period.