

Under Counter Refrigerator & Freezer



FEATURES

Stainless steel exterior

Coated aluminum interior

Adjustable epoxy coated shelves

Self-closing doors stay open at 90°

Heavy duty casters

Dixell digital controller with automatic defrost programming

Refrigerator temperature: 33 to 41 F

Freezer temperature range: -8 to 0 F

ETL Listed and conforms to NSF Std. 7

Standard 15 amp plug

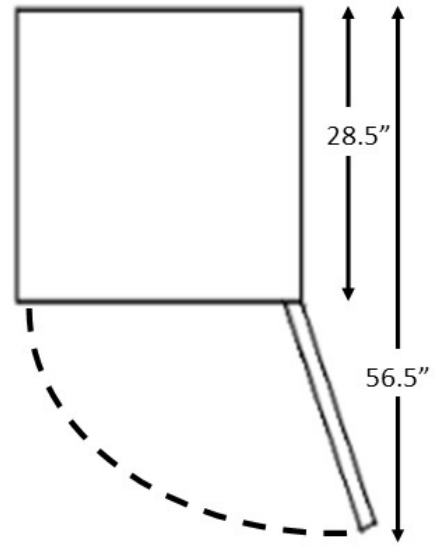
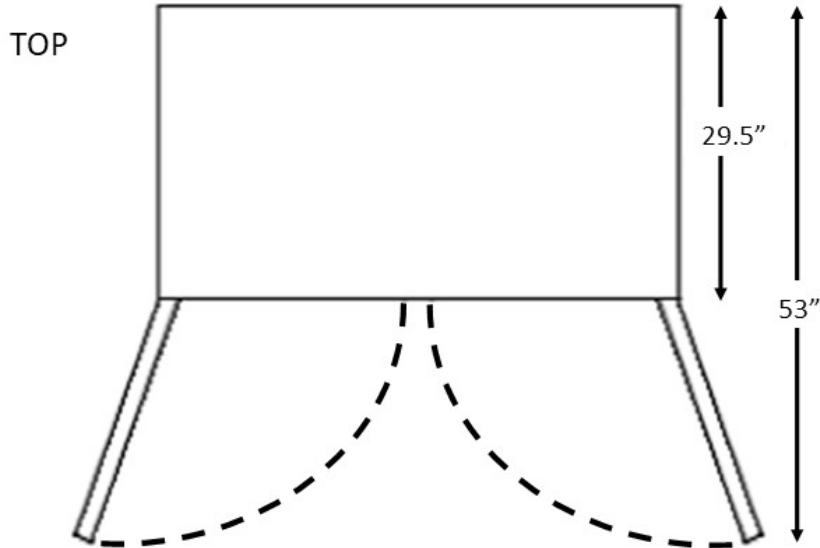
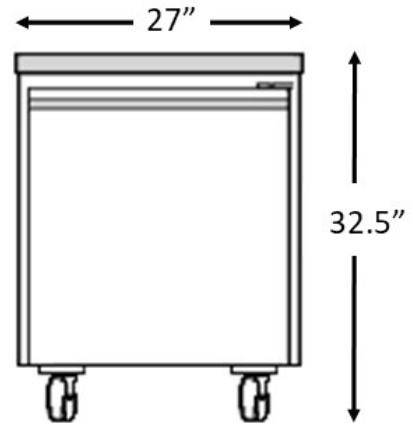
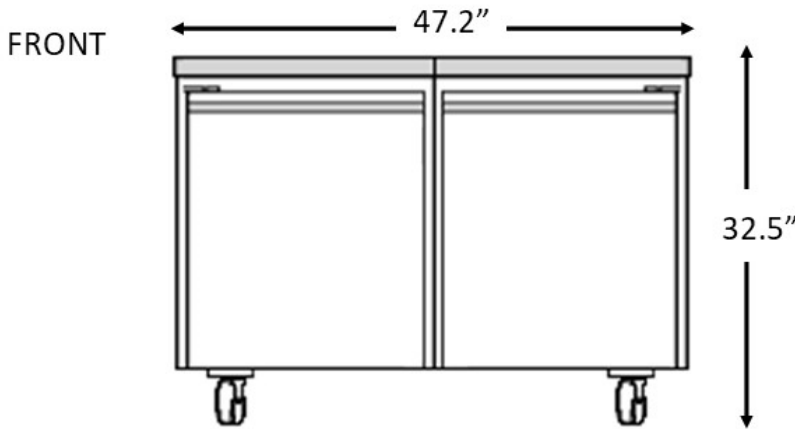


PEAKCOLD Under Counter Refrigerator and Freezer

Model	Doors	HP	Amps	Volume	Width	Depth	Height
IM48UCR2	2	1/5	2.7	11.2 Cu. Ft	Ext: 47.2" Int: 42.5"	Ext: 29.5" Int: 22.5"	Ext: 35.2" Int: 23.5"
IM27UCF	1	1/5	2.1	6.3	Ext: 27" Int: 22.25"	Ext: 28.5" Int: 22.8"	Ext: 35.2" Int: 23.5"
IM48UCF2	2	1/4	4.5	12	Ext: 47.2" Int: 42.5"	Ext: 29.5" Int: 22.5"	Ext: 35.2" Int: 23.5"

IM48UCR2 / IM48UCF2

IM27UCF



ROCK SOLID

WARRANTY

No Headaches
No Registration Required
For Procool and PeakCold Lines

PEAKCOLD[®]

5 YEAR ON COMPRESSORS
3 YEAR ON PARTS
1 YEAR ON LABOR

IRON MOUNTAIN
REFRIGERATION + EQUIPMENT

- For warranty service, contact: service@ironmountainrefrigeration.com or call 833-734-8880.
- Warranty is not supported outside the continental United States.
- Warranty is not transferable to other parties.
- Warranty does not cover the loss of product or income due to equipment malfunction.
- Placing the equipment outdoors, using it to store hazardous materials or modifying the equipment in any way voids all warranties.