

Kegeerator Series

24" depth • 3 sizes



FEATURES

- Double tap stainless steel towers (3" diameter) and drip trays
- Keg couplers and hosing included
- Side knock out for exterior CO2 tanks
- Forced air tower cooling
- Left side mounted front venting compressor using R290 hydrocarbon refrigerant
- LED interior lighting
- Adjustable epoxy coated 90 lb. capacity shelves
- Dixell digital controller with automatic defrost programming
- Self-evaporating water tray – no drain needed
- ETL Listed and conforms to NSF Std. 7
- Standard 15 amp plug

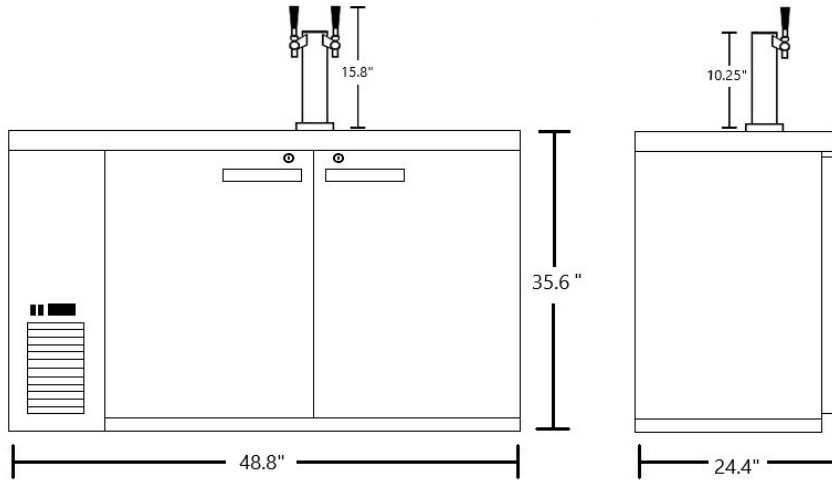


Model	Doors	HP	Amps	Volume	½ Keg Capacity	Width	Depth	Height
IM48NDD2	2	1/5	2.88	11.8 Cu. Ft	2	Ext: 48.8" Int: 36.25"	Ext: 24.4" Int: 18.5"	Ext: 35.6" Int: 28.9"
IM60NDD2	2	1/5	2.88	15.8 Cu. Ft	2	Ext: 60.75" Int: 48.25"	Ext: 24.4" Int: 18.5"	Ext: 35.6" Int: 28.9"
IM72NDD3	3	1/4	3.96	19.6 Cu. Ft.	3	Ext: 72.75" Int: 60.1"	Ext: 24.4" Int: 18.5"	Ext: 35.6" Int: 28.9"

PEAKCOLD Kegerator Series

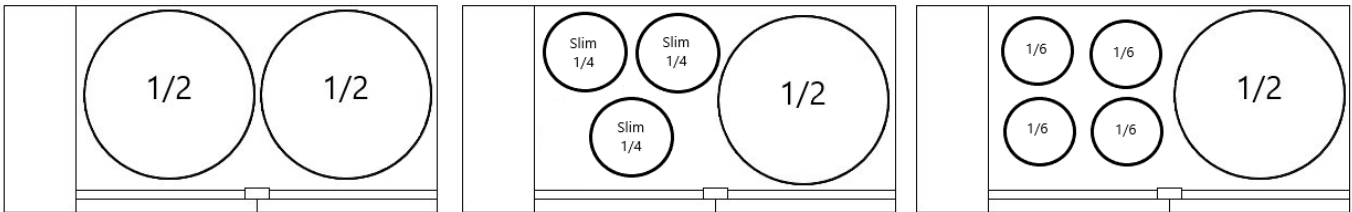
* Keg layouts are suggested. Air circulation must be maintained around each keg for proper cooling. Allow 24 hours for kegs to reach serving temperature.

IM48NDD2

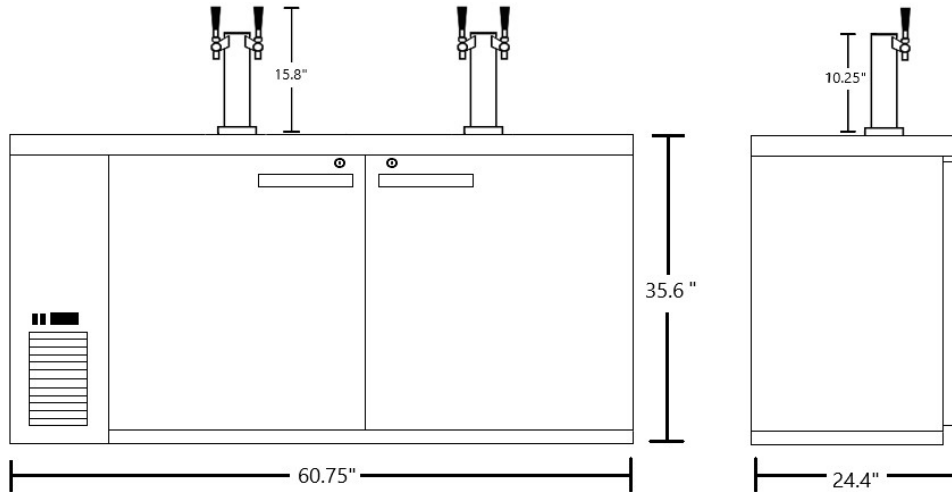


Keg layouts

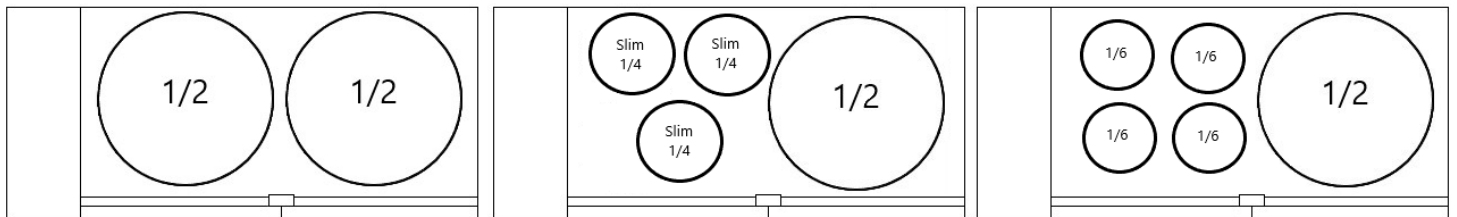
1/2 kegs must be loaded through right side door



IM60NDD2

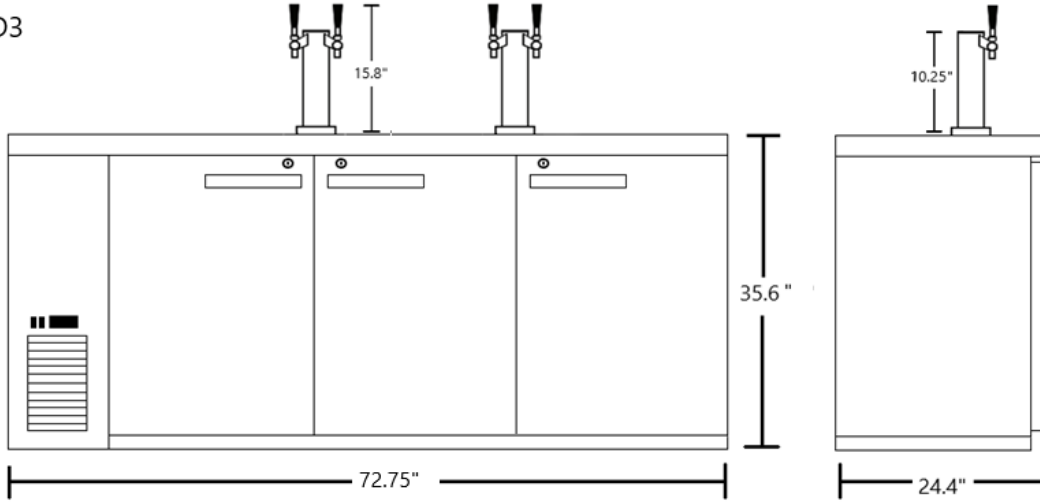


Keg layouts

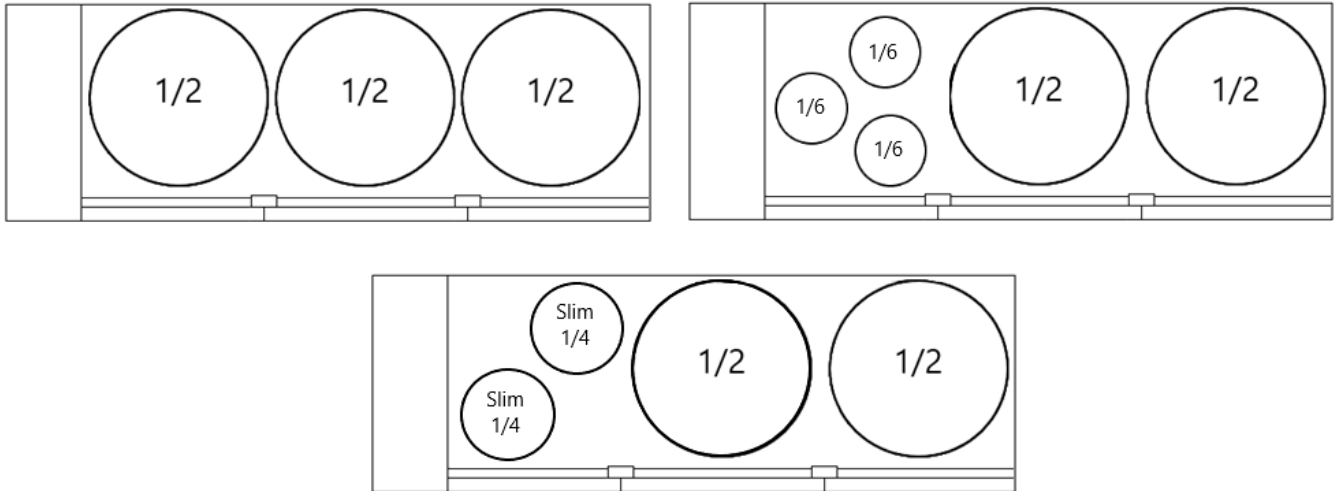


PEAKCOLD Kegerator Series

IM72NDD3



Keg layouts



ROCK SOLID

WARRANTY

No Headaches
No Registration Required
For Procool and PeakCold Lines

PEAKCOLD®

5 YEAR ON COMPRESSORS
3 YEAR ON PARTS
1 YEAR ON LABOR

IRON MOUNTAIN
REFRIGERATION + EQUIPMENT

- For warranty service, contact: service@ironmountainrefrigeration.com or call 833-734-8880.
- Warranty is not supported outside the continental United States.
- Warranty is not transferable to other parties.
- Warranty does not cover the loss of product or income due to equipment malfunction.
- Placing the equipment outdoors, using it to store hazardous materials or modifying the equipment in any way voids all warranties.