

Glass Frosters

▪ 2 Styles ▪



FEATURES

Coated aluminum interior

Easy glide stainless steel lids with lock

Epoxy coated steel dividers

R290 environmentally friendly hydrocarbon refrigerant

Dixell digital controller with automatic defrost programming

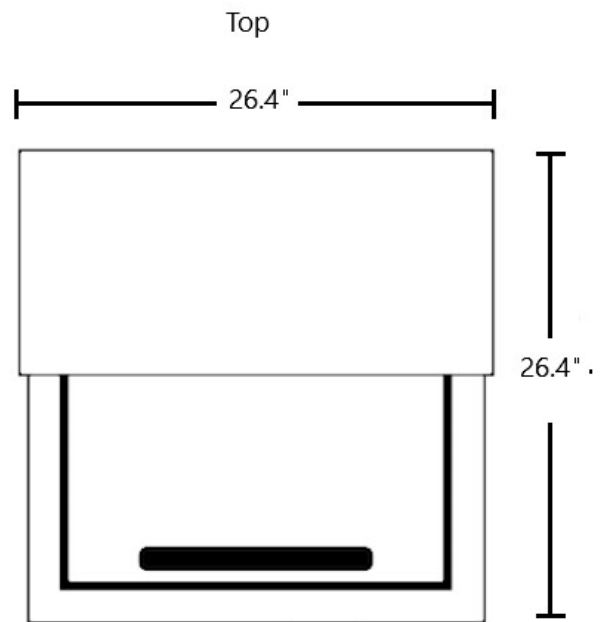
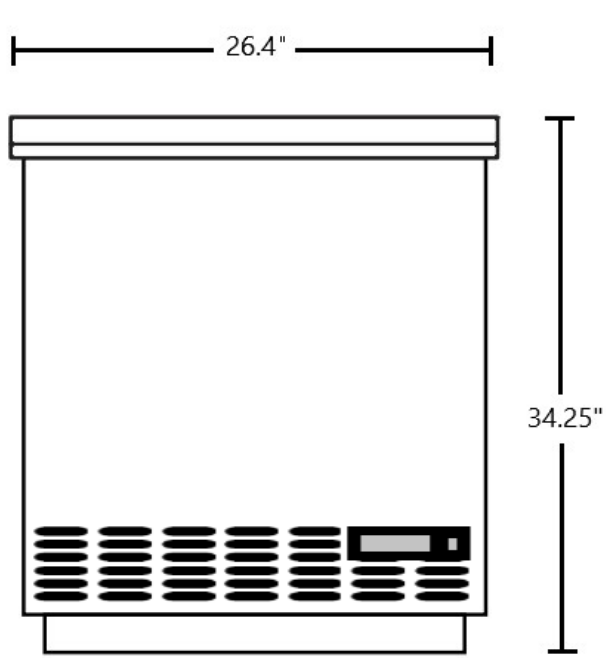
ETL Listed and conforms to NSF Std. 7

Standard 15 amp plug



PEAKCOLD Glass Frosters

Model	Finish	10 Oz. Steins	8" Mugs	HP	Amps	Volume	Width	Depth	Height
IM25GF-B	Black	85	90	1/5	2.04	4.1 Cu. Ft	Ext: 26.4" Int: 22"	Ext: 26.4" Int: 23"	Ext: 34.25" Int: 26"
IM25GF-S	Stainless Steel								



ROCK SOLID

WARRANTY

No Headaches
No Registration Required
For Procool and PeakCold Lines

PEAKCOLD[®]

5 YEAR ON COMPRESSORS
3 YEAR ON PARTS
1 YEAR ON LABOR

IRON MOUNTAIN
REFRIGERATION + EQUIPMENT

- For warranty service, contact: service@ironmountainrefrigeration.com or call 833-734-8880.
- Warranty is not supported outside the continental United States.
- Warranty is not transferable to other parties.
- Warranty does not cover the loss of product or income due to equipment malfunction.
- Placing the equipment outdoors, using it to store hazardous materials or modifying the equipment in any way voids all warranties.