



# Preventive Maintenance Kit

**Applicable Models:** Classic Bubbler™

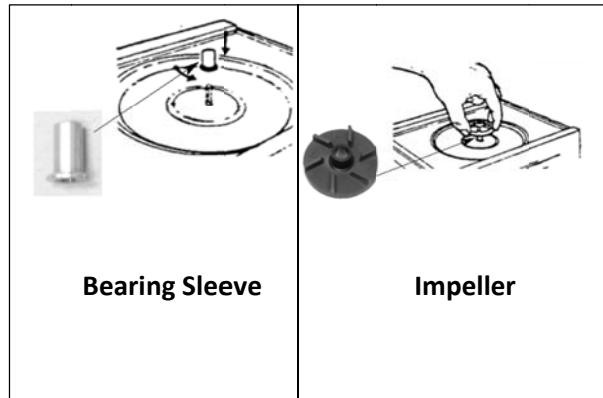
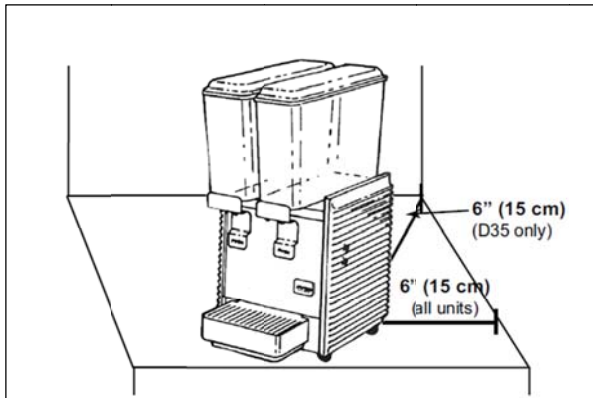
**PM Frequency:** every 6 months or as needed

**Parts Included:**

- Bowl Gasket(s)
- Impeller(s)
- Valve O-ring(s)
- Bearing Sleeve(s)

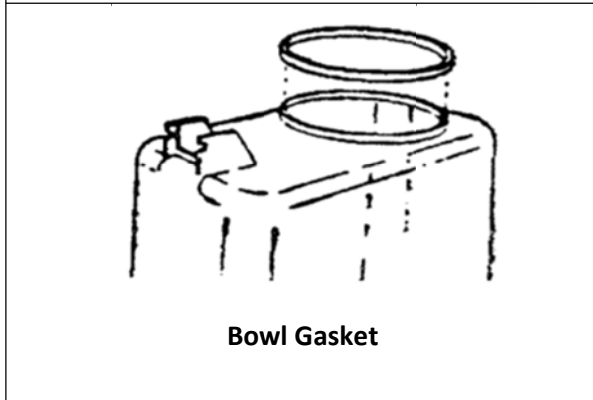
**Description and Instructions:**

1. Verify unit clearance per diagram.
2. Replace Bearing Sleeve attached to base.
3. Replace all gaskets, O-rings, and impellers listed.

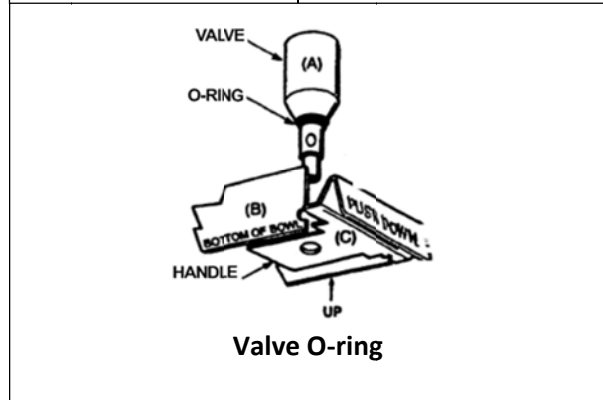


Bearing Sleeve

Impeller



Bowl Gasket



Valve O-ring

Operator Manuals, including use and care instructions as well as product video tutorials, can be found on our website, [www.gmcw.com](http://www.gmcw.com). Call 1-800-695-4500 for Technical Support.