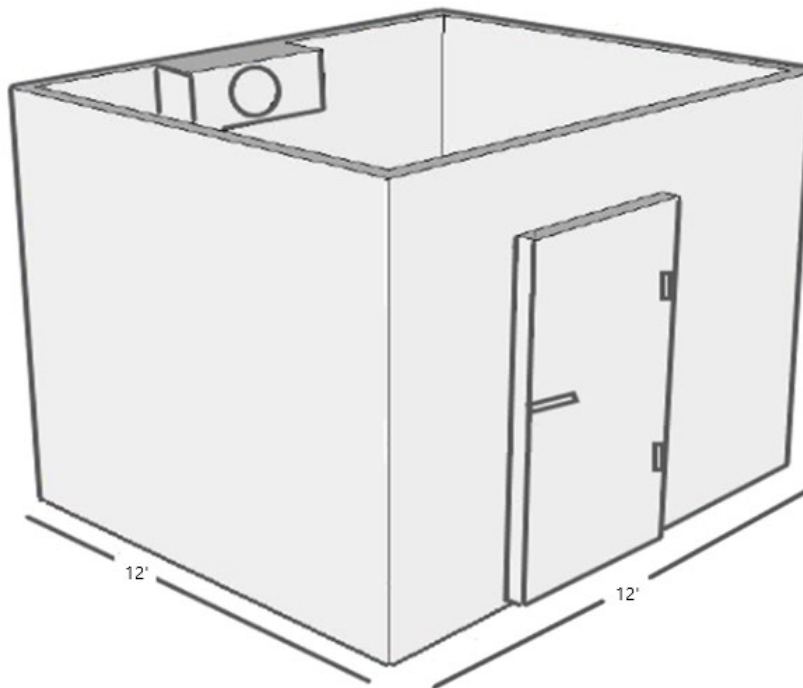


PEAKCOLD®

Walk In Freezer

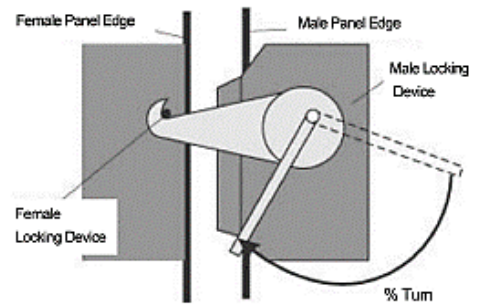
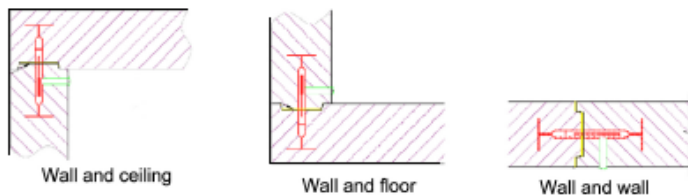
12 X 12

- Temperature Range: -4 to 5°F
- Volume: 918 Cubic Feet (26 Cubic Meters)
- Voltage: 220/60/1
- Compressor: Maneurop – 2.5 HP
- R404 Refrigerant
- 4.7" PU Panels with Galvanized Steel Reinforcement
- 8' Ceiling Height
- 39" W x 78.5" H Hinged Door
- Floor Panels Included
- Wall Mounted Monoblock Refrigeration Unit
- 20W LED, Anti-Fog Light
- Pressure Balancing Vent



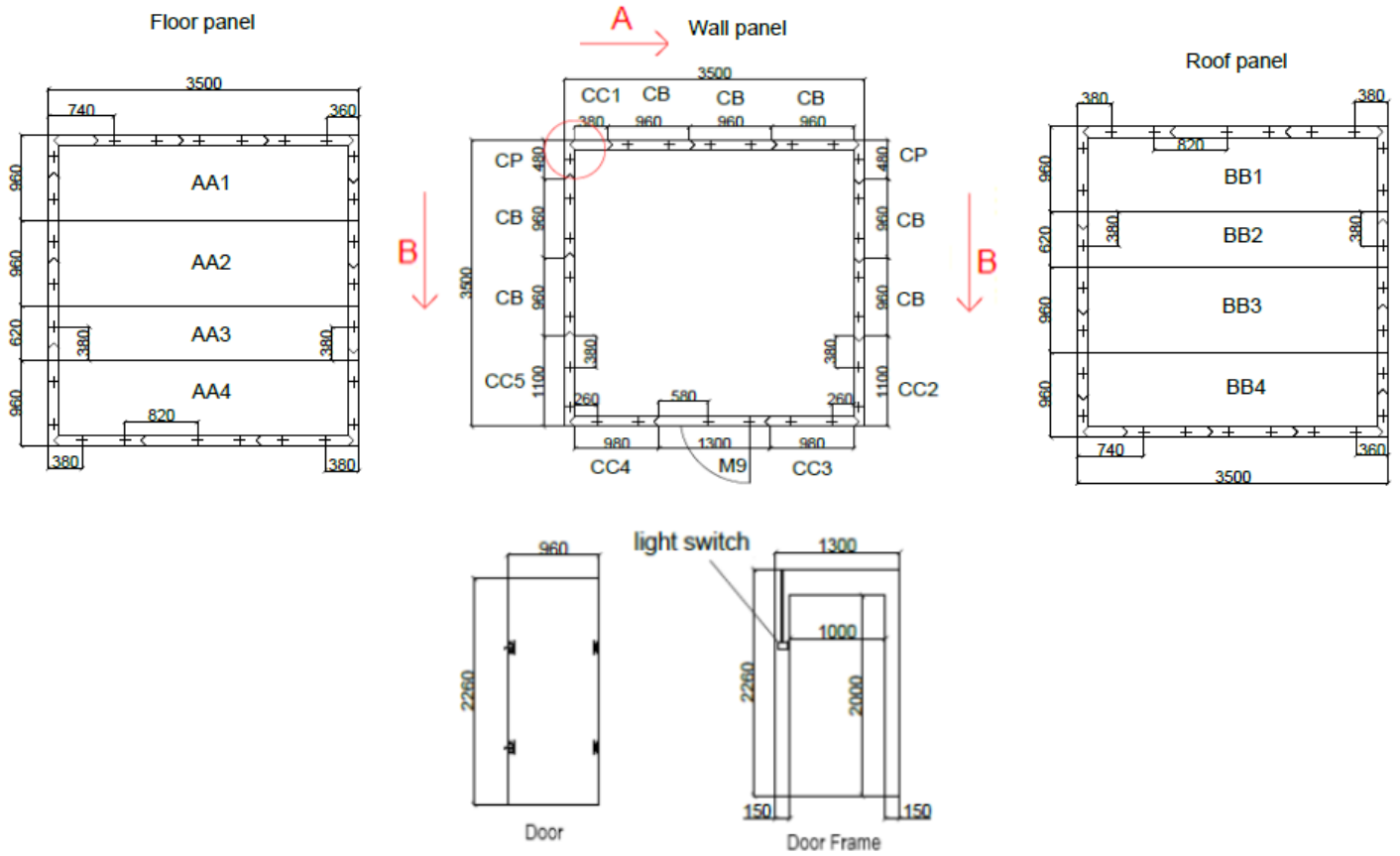
PANEL ASSEMBLY

Panels are connected internally with Cam-locks.



Assemble floor panels first, followed by wall panels. Assemble wall panels starting at circle and continue in the direction of arrows. Add door frame then roof panels. Apply included sealant at all joints.

| WIC-12X12 PANELS | | | | |
|------------------|--------------------|--------|-------|-----|
| | Label | Length | Width | QTY |
| FLOOR & ROOF | AA1, AA4, BB1, BB4 | 137.8 | 37.8 | 4 |
| | AA3, BB3 | 137.8 | 37.8 | 2 |
| | AA2, BB2 | 137.8 | 24.4 | 2 |
| WALL | CB | 89 | 37.8 | 7 |
| | CC1 | 89 | 15 | 1 |
| | CC3, CC4 | 89 | 38.6 | 2 |
| | CP | 89 | 19 | 2 |
| | CC2, CC5 | 89 | 43.3 | 2 |
| DOOR FRAME | M9 | 89 | 51.2 | 1 |



Monoblock Refrigeration Unit Installation

