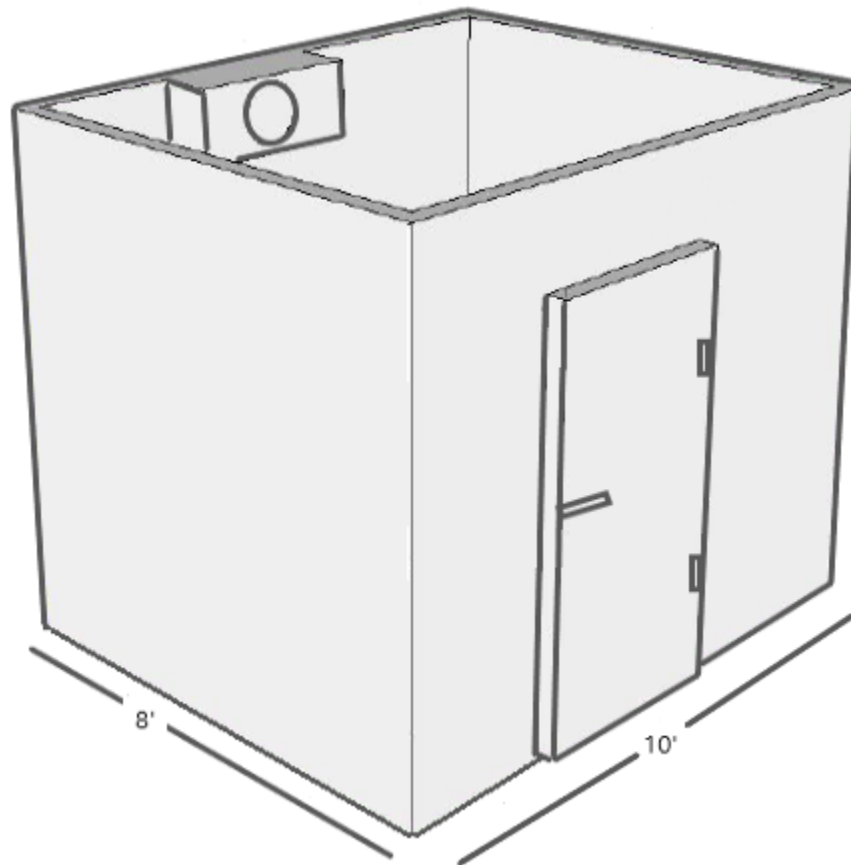


PEAKCOLD®

Walk In Freezer

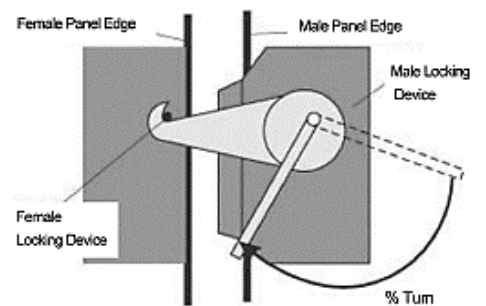
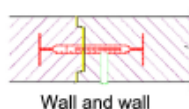
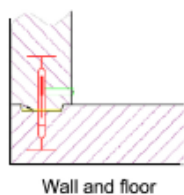
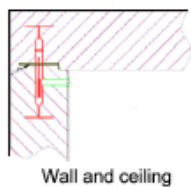
10 X 8

- Temperature Range: -4 to 5°F
- Volume: 671 Cubic Feet (19 Cubic Meters)
- Voltage: 220/60/1
- Compressor: Tecumseh – 1.75 HP
- R404 Refrigerant
- 4.7" PU Panels with Galvanized Steel Reinforcement
- 8' Ceiling Height
- 39" W x 78.5" H Hinged Door
- Floor Panels Included
- Wall Mounted Monoblock Refrigeration Unit
- 20W LED, Anti-Fog Light
- Pressure Balancing Vent



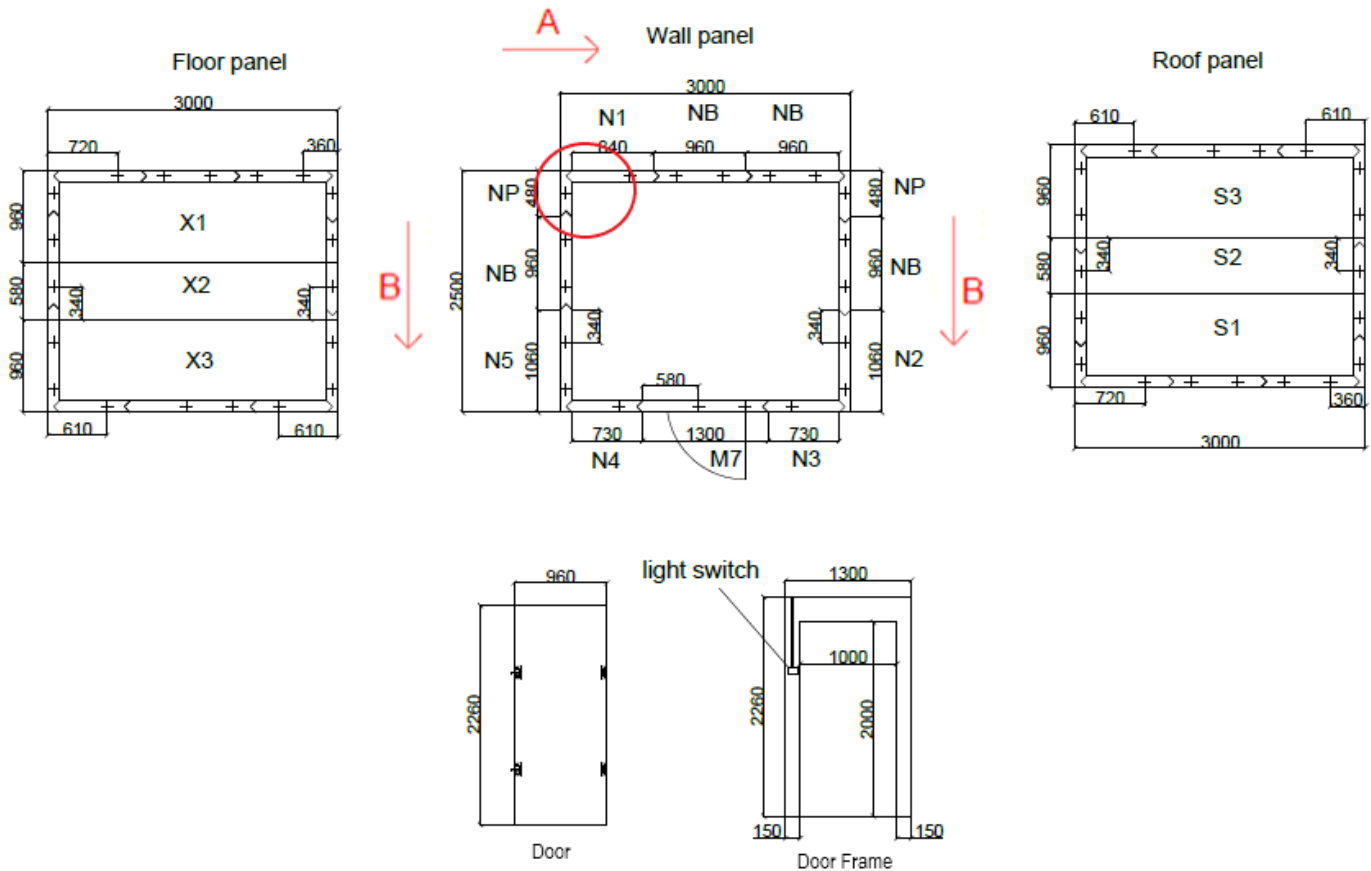
PANEL ASSEMBLY

Panels are connected internally with Cam-locks.



Assemble floor panels first, followed by wall panels. Assemble wall panels starting at circle and continue in the direction of arrows. Add door frame then roof panels. Apply included sealant at all joints.

WIF-10X8 PANELS				
	Label	Length	Width	QTY
FLOOR & ROOF	X1, S1, X3, S3	118	37.8	4
	S2, X2	118	22.8	2
WALL	NB	89	37.8	4
	N1	89	33	1
	N3, N4	89	28.7	2
	NP	89	19	2
	N2, N5	89	41.7	2
DOOR FRAME	M7	89	51.2	1



Monoblock Refrigeration Unit Installation

