

PEAKCOLD®

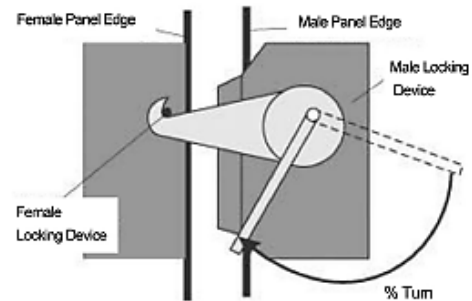
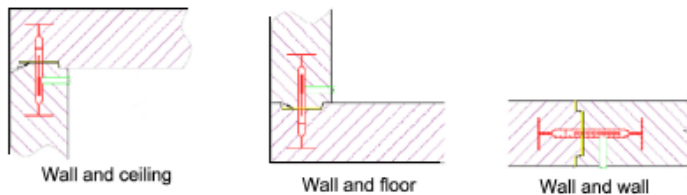
Walk In Cold Room

8 x 8

- Temperature Range: 33-46.5°F (0-8°C)
- Volume: 530 Cubic Feet (15 Cubic Meters)
- Voltage: 220/60/1
- Compressor: Embraco - 1 HP
- R404 Refrigerant
- 4" PU Panels with Galvanized Steel Reinforcement
- 8' Ceiling Height
- 39" W x 78.5" H Hinged Door
- Floor Panels Included
- Wall Mounted Monoblock Refrigeration Unit
- 20W LED, Anti-Fog Light
- Pressure Balancing Vent

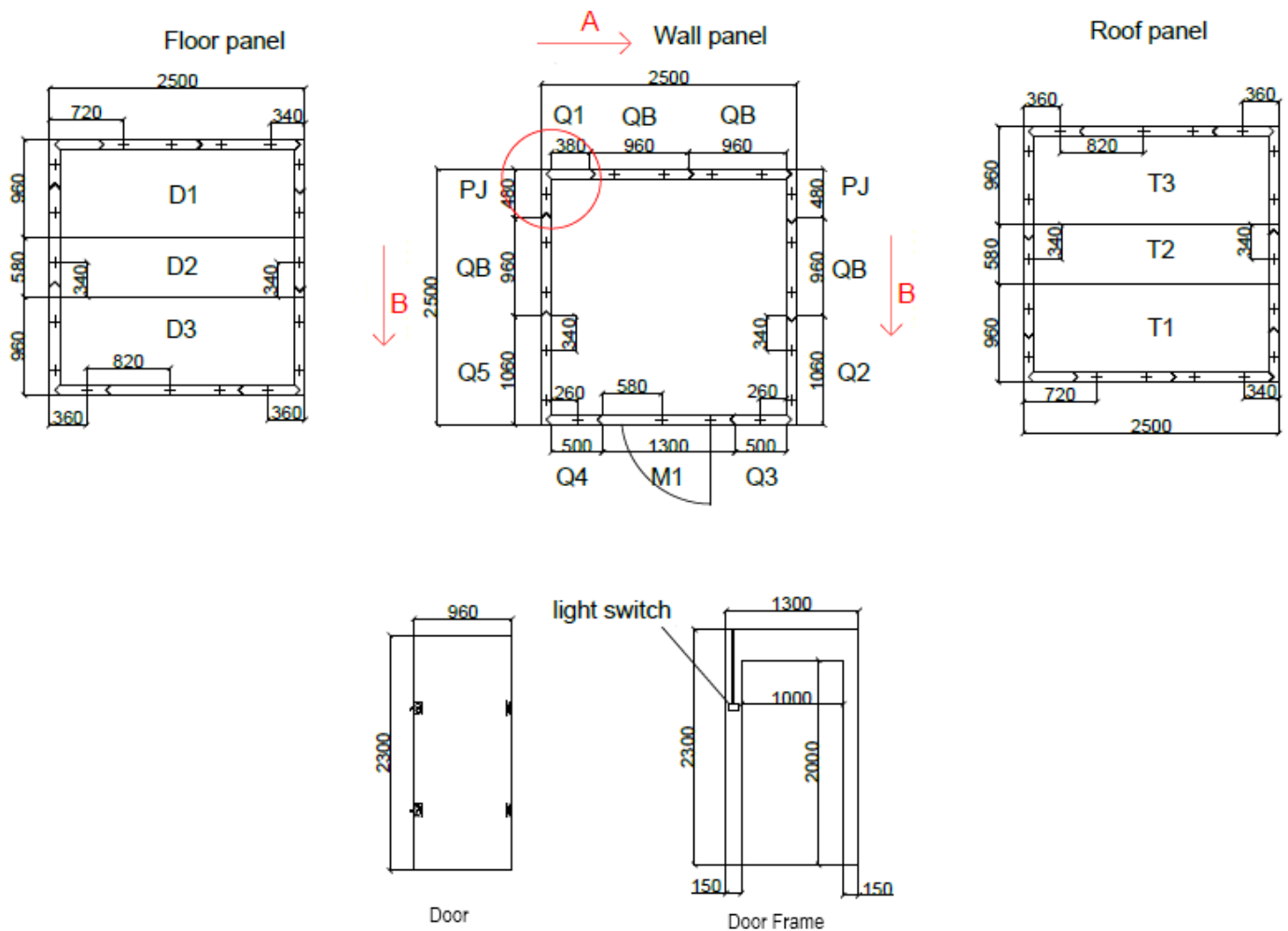
PANEL ASSEMBLY

Panels are connected internally with Cam-locks.



Assemble floor panels first, followed by wall panels. Assemble wall panels starting at circle and continue in the direction of arrows. Add door frame then roof panels. Apply included sealant at all joints.

WIC-8X8 PANELS				
	Label	Length	Width	QTY
FLOOR & ROOF	D1, D3, T1, T3	98.4	37.8	4
	D2, T2	98.4	22.8	2
WALL	QB	89	37.8	4
	Q1	89	13.4	1
	Q3, Q4	89	19	2
	PJ	89	19	2
	Q2, Q5	89	41.7	2
DOOR FRAME	M1	89	51.2	1



Monoblock Refrigeration Unit Installation

