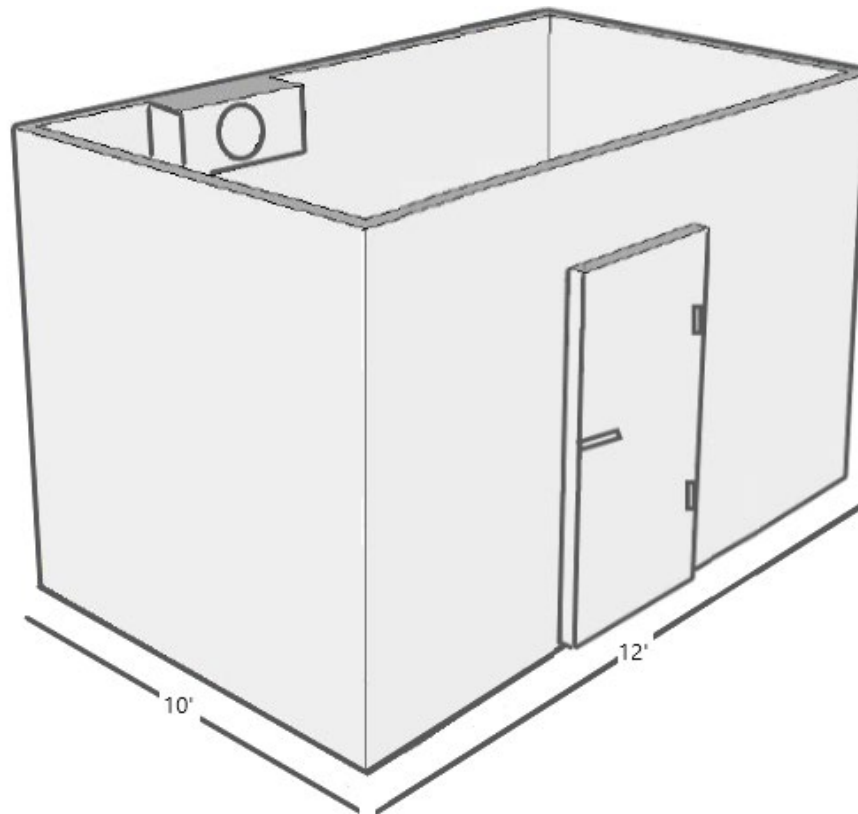


PEAKCOLD®

Walk In Cold Room

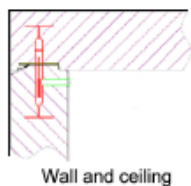
10 X 12

- Temperature Range: 33-46.5°F (0-8°C)
- Volume: 777 Cubic Feet (22 Cubic Meters)
- Voltage: 220/60/1
- Compressor: Tecumseh – 1.5 HP
- R404 Refrigerant
- 4" PU Panels with Galvanized Steel Reinforcement
- 8' Ceiling Height
- 39" W x 78.5" H Hinged Door
- Floor Panels Included
- Wall Mounted Monoblock Refrigeration Unit
- 20W LED, Anti-Fog Light
- Pressure Balancing Vent

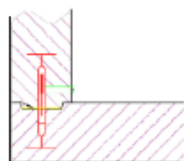


PANEL ASSEMBLY

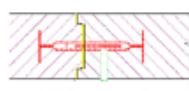
Panels are connected internally with Cam-locks.



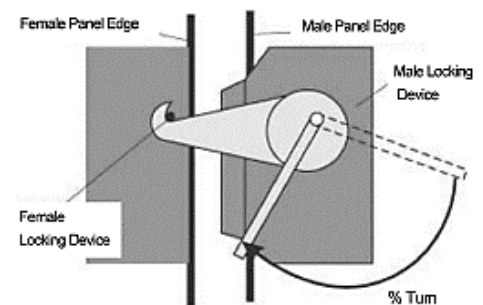
Wall and ceiling



Wall and floor

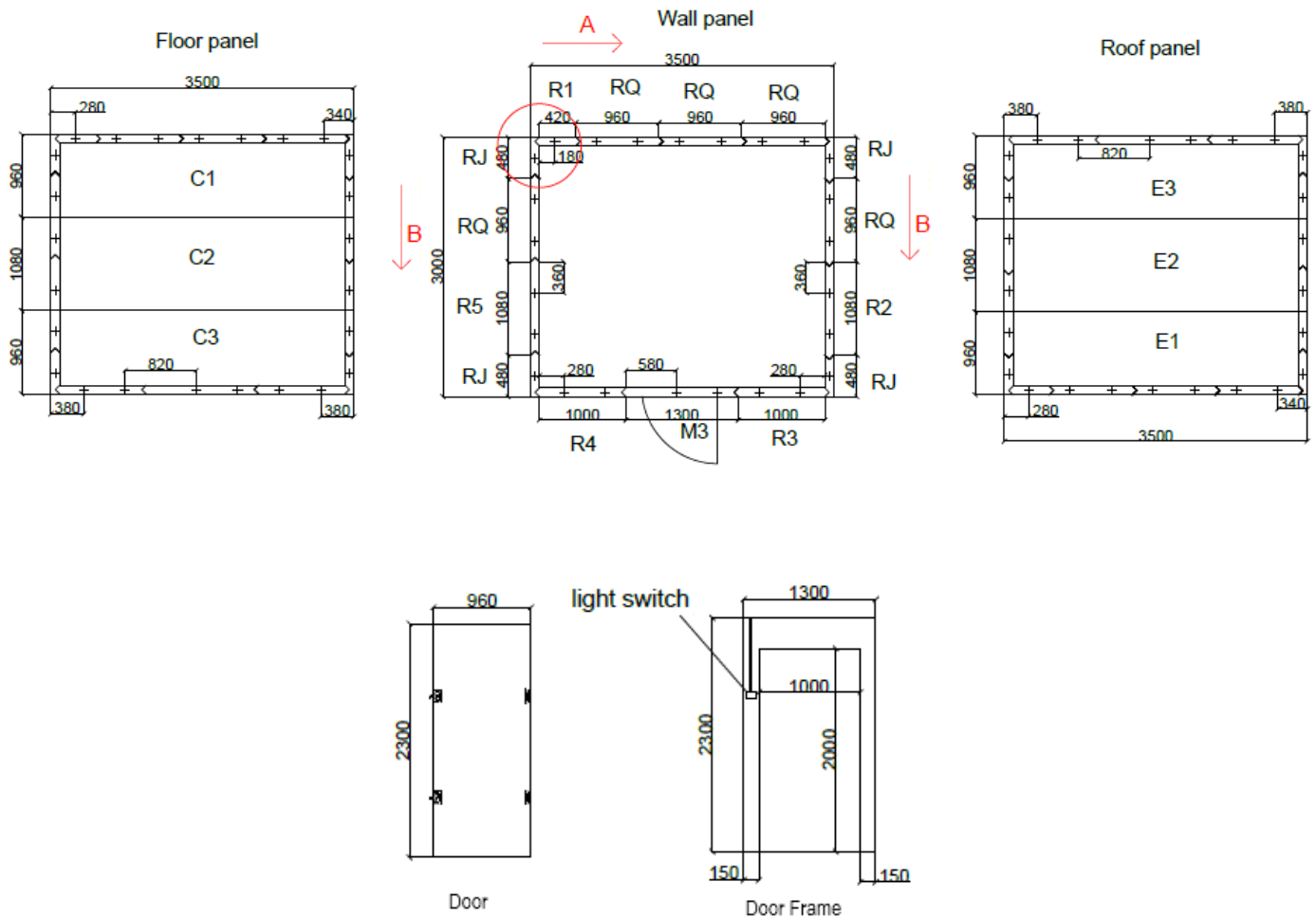


Wall and wall



Assemble floor panels first, followed by wall panels. Assemble wall panels starting at circle and continue in the direction of arrows. Add door frame then roof panels. Apply included sealant at all joints.

WIC-10X12 PANELS				
	Label	Length	Width	QTY
FLOOR & ROOF	C1, C3, E1, E3	137.8	37.8	4
	C2, E2	137.8	42.5	2
WALL	RQ	90.6	37.8	5
	R1	90.6	16.5	5
	R3, R4	90.6	39.4	2
	R2, R5	90.6	42.5	2
	RJ	90.6	18.9	4
DOOR FRAME	M3	90.6	51.2	1



Monoblock Refrigeration Unit Installation

